



SPEX

SPEX

MAERLI MACHINERY 马尔利机械科技

无锡市马尔利机械科技有限公司
地址:中国无锡锡山区工业园区泾瑞路26号
电子邮件:eli@marleytechs.com
联系电话: + 8613291226678(微信同号)

Wuxi Marley Machinery Technology Co., Ltd. AdddNO.
26 JINGRUIRD. INTENSIVE INDUSTRIAL PARK,
XISHAN DISTRICT, WUXI CHINA.
Email: eli@marleytechs.com
WhatsApp: +8613291226678

无锡马尔利机械科技有限公司，由具有多年冶金设备行业经验的专业团队创办，集研发、生产、销售为一体，产品经过多年不断研发改进，深受业内好评。产品主要用于钢管行业，主要产品有管材内外抛光机、气密压力检测机、焊管内整平机、不锈钢管在线/离线退火炉、管材平头倒角机等管材加工配套产品设备。

Wuxi Marley Machinery Technology Co., Ltd., founded by a professional team with many years of experience in metallurgical equipment industry, integrates research and development, production and sales. After years of continuous research and development and improvement of products, it is well received by the industry. The products are mainly used in the steel pipe industry, the main products are inside and outside the pipe polishing machine, gas tight pressure detection machine, welding pipe leveling machine, stainless steel pipe online/offline annealing furnace, pipe flange chamfering machine and other pipe processing supporting products and equipment.



质量方针 Quality Policy

心系客户 奉献精诚
管理规范 追求卓越

Client orientation, dedication and sincerity Standard management, pursuing excellence.

服务理念 Service Concept

责任就是工作使命, 责任就是荣誉。时刻牢记责任使命, 以高度的安全责任感和品质责任感投入工作, 铸就高的市场占有率, 赢得客户高的满意度。

Responsibility is the work mission and honor. Remember the responsibility and mission, work with intensive safety and quality responsibility consciousness, develop a higher market share, and earn higher satisfaction from clients.

售前服务 Pre-sale Service

为客户解答不锈钢管行业的投资问题, 如厂房规划、设备配置利润成本等;
客户可参观我司客户的不锈钢生产现场;
为客户介绍优质的原材料供应商, 教客户如何区分优劣原材料;
根据客户实际情况, 协助客户整合资源。

Answer customer's questions about the investment of stainless steel pipe industry, such as plant planning, equipment configuration, profit, cost, etc. Welcome to visit our stainless steel production site: introduce high quality of raw materials suppliers, and teach customers how to select the high quality of raw materials.

售后服务 After-sales Service

提供生产线配套材料、配件清单。
为企业提供技术、生产管理、质量掌控、市场营销等咨询指导。

Provide production line supporting materials, accessories list. To provide enterprises with technology, production management, quality control, marketing and other consulting guidance.

COOPERATE 部分合作企业



一代管材内孔抛光机

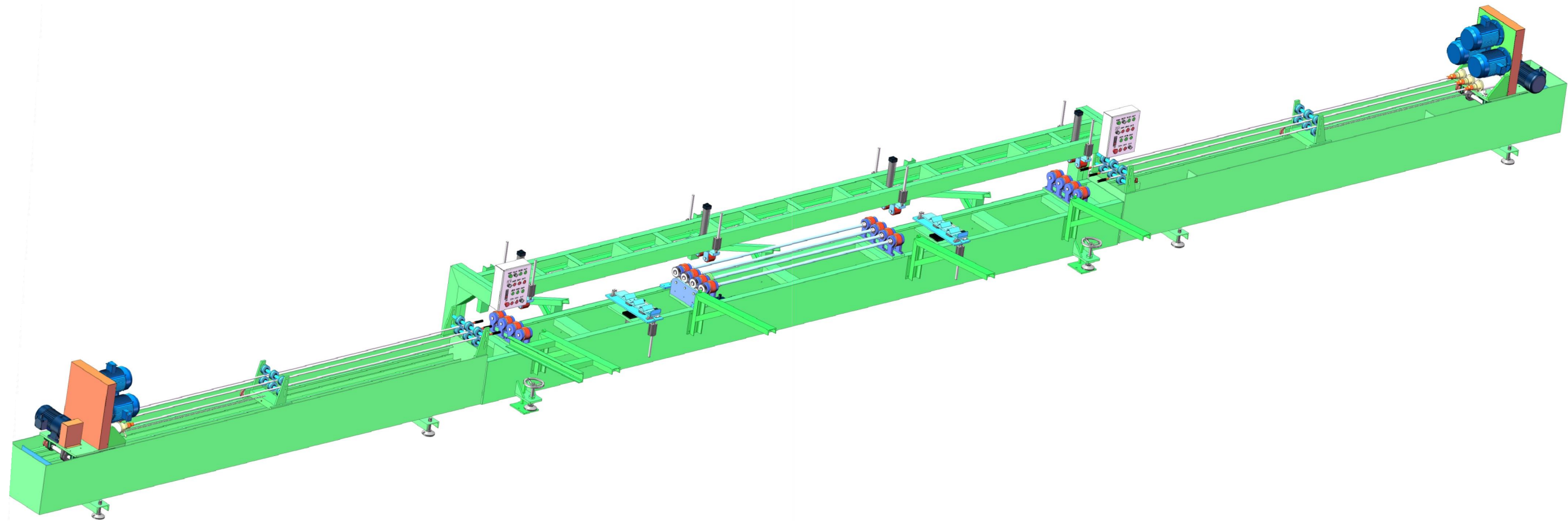
THE FIRST GENERATION PIPE INNER POLISHING MACHINE

本设备主要用于食品级、卫生级等不锈钢管道内壁表面抛光。多工位设计, PLC控制, 具有自动上料、自动抛光、自动下料功能。

Multi-station design, PLC control, with automatic feeding, automatic polishing, automatic blanking function. This equipment is mainly used for polishing the inner wall surface of stainless steel pipe of food grade and sanitary grade.

一代管材内孔抛光机

THE FIRST GENERATION PIPE INNER POLISHING MACHINE



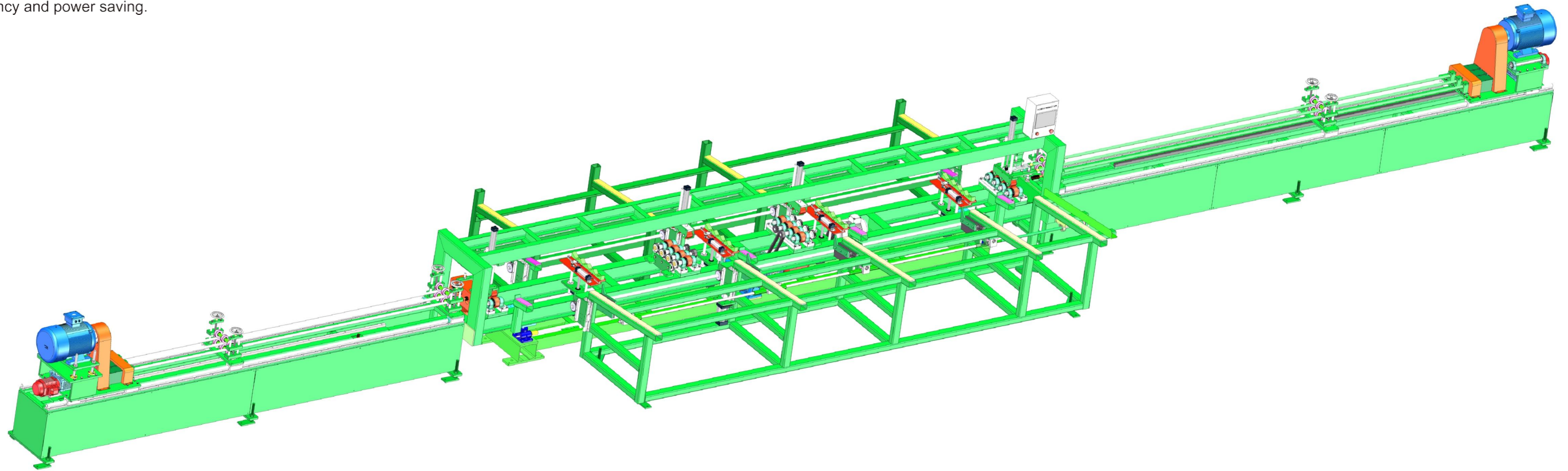
名称 Name	机型 Model	规格范围(mm) Polishing range(mm)	管道长度/m Pipe length/m	工位 Station	抛光粗糙度 Polishing roughness	转速r/min RPM r/min	上料 Loading	下料 Off loading	规格调节 Size adjustment	抛光形式 Polishing way	备注 Remark
管材内抛机 Pipe inner polishing machine	ZYNP-76	Φ19-Φ76	3-6	3	≥0.4μm	3000	自动 Automatic	自动 Automatic	手动 By hand	干抛 Dry Polishing	
管材内抛机 Pipe inner polishing machine	ZYSY-133	Φ63-Φ133	3-6	3	≥0.4μm	3000	自动 Automatic	自动 Automatic	手动 By hand	干抛 Dry Polishing	
管材内抛机 Pipe inner polishing machine	ZYSY-168	Φ89-Φ168	3-6	3	≥0.4μm	3000	自动 Automatic	自动 Automatic	手动 By hand	干抛 Dry Polishing	
管材内抛机 Pipe inner polishing machine	ZYSY-219	Φ114-Φ219	3-6	3	≥0.4μm	3000	自动 Automatic	自动 Automatic	手动 By hand	干抛 Dry Polishing	

二代管材内孔抛光机

THE SECOND GENERATION PIPE INNER POLISHING MACHINE

本设备主要用于食品级、卫生级等不锈钢管道内壁表面抛光。多工位设计，PLC控制，具有自动上料、自动抛光、自动下料功能。数控夹头快换设计，规格电动调节，二级上下料方式，操作简便快捷。使用变频电机调速，稳定耐用，调整方便，故障率低，高效省电。

This equipment is mainly used for polishing the inner wall surface of stainless steel food and sanitary pipe. Multi-station design, PLC control, with automatic feeding, automatic polishing, automatic blanking function. Numerical control chuck quick change design, specification electric adjustment, two level loading and unloading way, easy to operate. Use frequency conversion motor speed regulation, stable and durable, easy to adjust, low failure rate, high efficiency and power saving.



二代管材内孔抛光机

THE SECOND GENERATION PIPE INNER POLISHING MACHINE

名称 Name	机型 Model	规格范围(mm) Polishing range(mm)	管道长度/m Pipe length/m	工位 Station	抛光粗糙度 Polishing roughness	转速r/min RPM r/min	上料 Loading	下料 Off loading	规格调节 Size adjustment	抛光形式 Polishing way	备注 Remark
管材内抛机 Pipe inner polishing machine	ZYNP-76	Φ19-Φ76	2-12	3	≥0.4μm	3000	自动 Automatic	无损下料 Lossless off loading	电动 Electrical	干抛 Dry Polishing	
管材内抛机 Pipe inner polishing machine	ZYNP-133	Φ63-Φ133	2-12	3	≥0.4μm	3000	自动 Automatic	无损下料 Lossless off loading	电动 Electrical	干抛 Dry Polishing	
管材内抛机 Pipe inner polishing machine	ZYNP-168	Φ89-Φ168	2-12	3	≥0.4μm	3000	自动 Automatic	无损下料 Lossless off loading	电动 Electrical	干抛 Dry Polishing	
管材内抛机 Pipe inner polishing machine	ZYNP-219	Φ114-Φ219	2-12	3	≥0.4μm	3000	自动 Automatic	无损下料 Lossless off loading	电动 Electrical	干抛 Dry Polishing	

三代高速智能管材内孔抛光机

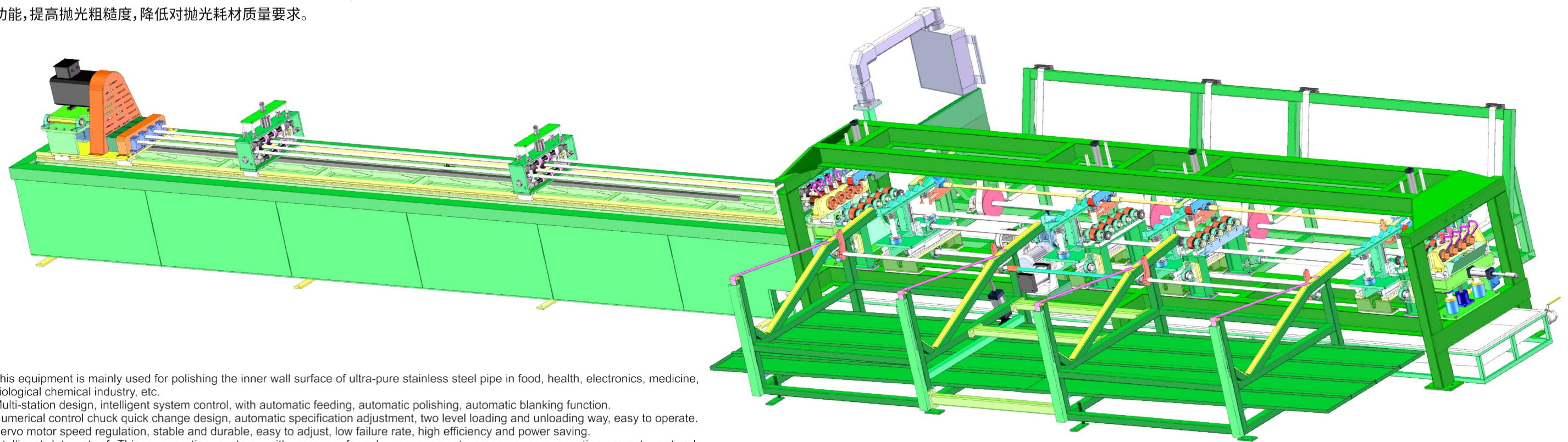
THIRD GENERATIONS HIGH-SPEED INTELLIGENT PIPE INNER POLISHING MACHINE

本设备主要用于食品级、卫生级、电子、医药、生物化工等超纯不锈钢管道内壁表面抛光。多工位设计，智能系统控制，具有自动上料、自动抛光、自动下料功能。

数控夹头快换设计，规格自动调节，二级上下料方式，操作简便快捷。使用伺服电机调速，稳定耐用，调整方便，故障率低，高效省电。

智能物联操作系统，具有工艺配方管理，压力补偿、可远程联网维护。

管头过渡活套设计，减少抛光管头喇叭口。挡头弹性设计，避免管材走位、过渡套磨伤管端等功能。具有干湿两用功能，提高抛光粗糙度，降低对抛光耗材质量要求。



This equipment is mainly used for polishing the inner wall surface of ultra-pure stainless steel pipe in food, health, electronics, medicine, biological chemical industry, etc.

Multi-station design, intelligent system control, with automatic feeding, automatic polishing, automatic blanking function.

Numerical control chuck quick change design, automatic specification adjustment, two level loading and unloading way, easy to operate. Servo motor speed regulation, stable and durable, easy to adjust, low failure rate, high efficiency and power saving.

Intelligent Internet of Things operating system, with process formula management, pressure compensation, remote network maintenance.

Tube head transition looper design to reduce polished tube head flaring. Baffle elastic design, to avoid the pipe location, transition sleeve wear pipe end and other functions.

With wet and dry function, improve the polishing roughness, reduce the polishing consumables quality requirements.

三代高速智能管材内孔抛光机

THIRD GENERATIONS HIGH-SPEED INTELLIGENT PIPE INNER POLISHING MACHINE

名称 Name	机型 Model	规格范围(mm) Polishing range(mm)	管道长度/m Pipe length/m	工位 Station	抛光粗糙度 Polishing roughness	转速r/min RPM r/min	上料 Loading	下料 Off loading	规格调节 Size adjustment	抛光形式 Polishing way	备注 Remark
管材内抛机 Pipe inner polishing machine	ZYGNP-63	Φ19-Φ63	2-12	4	≥0.2μm	7000	自动 Automatic	无损下料 Lossless off loading	自动/电动 Automatic/Eletrical	干湿两用 Dry &wet	带挡头机构/配方管理 With stop head mechanism/Recipe management
管材内抛机 Pipe inner polishing machine	ZYGNP-114	Φ63-Φ114	2-12	3	≥0.2μm	6000	自动 Automatic	无损下料 Lossless off loading	自动/电动 Automatic/Eletrical	干湿两用 Dry &wet	带挡头机构/配方管理 With stop head mechanism/Recipe management
管材内抛机 Pipe inner polishing machine	ZYGNP-159	Φ76-Φ159	2-12	3	≥0.3μm	6000	自动 Automatic	无损下料 Lossless off loading	自动/电动 Automatic/Eletrical	干湿两用 Dry &wet	带挡头机构/配方管理 With stop head mechanism/Recipe management
管材内抛机 Pipe inner polishing machine	ZYGNP-325	Φ114-Φ325	2-12	3	≥0.3μm	5000	自动 Automatic	无损下料 Lossless off loading	自动/电动 Automatic/Eletrical	干湿两用 Dry &wet	配方管理 Recipe management
管材内抛机 Pipe inner polishing machine	ZYGNP-470	Φ168-Φ470	2-12	3	≥0.3μm	5000	自动 Automatic	无损下料 Lossless off loading	自动/电动 Automatic/Eletrical	干湿两用 Dry &wet	配方管理 Recipe management

内焊缝伺服整平机

INTERNAL WELD SERVO LEVELING MACHINE

用于将不锈钢焊管在线内焊缝压平,使内焊缝平滑与母材过度,消除焊管后续加工难的专用设备。上下、前后均由伺服电机驱动,不需要液压油及冷却水,高效、节能、稳定、免维护。

前后行走采用伺服电机驱动齿轮齿条运动,速度、位置可任意调整。上下整平装置采用伺服电机驱动高效蜗减速机带动精密滚珠丝杆运动,压力速度可任意调整。

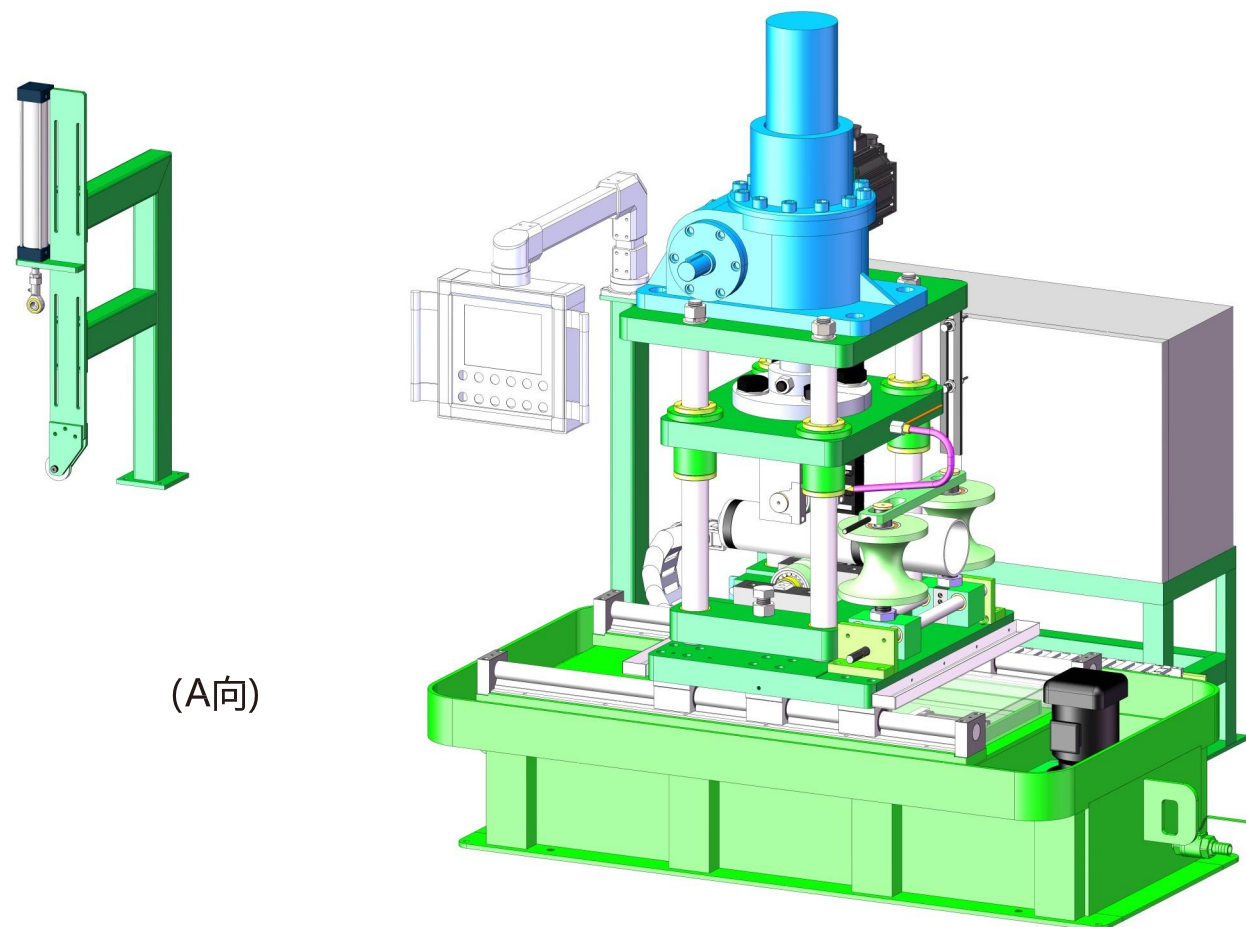
全数字化显示智能控制,换向采用动态曲线运动设计,碾压效果好,操作简便。

It is a special equipment for flattening the stainless steel welded pipe in the line, smoothing the inner weld and the excess of the base metal, and eliminating the difficulty of subsequent processing of the welded pipe. The upper and lower levels, front and rear are driven by servo motors, no hydraulic oil and cooling water are required, high efficiency, energy saving, stable and maintenance-free.

The front and rear walking adopts servo motor to drive the rack and pinion movement, and the speed and position can be adjusted arbitrarily.

The upper and lower leveling device adopts servo motor to drive the high-efficiency scroll reducer to drive the precision ball screw movement, and the pressure speed can be adjusted arbitrarily.

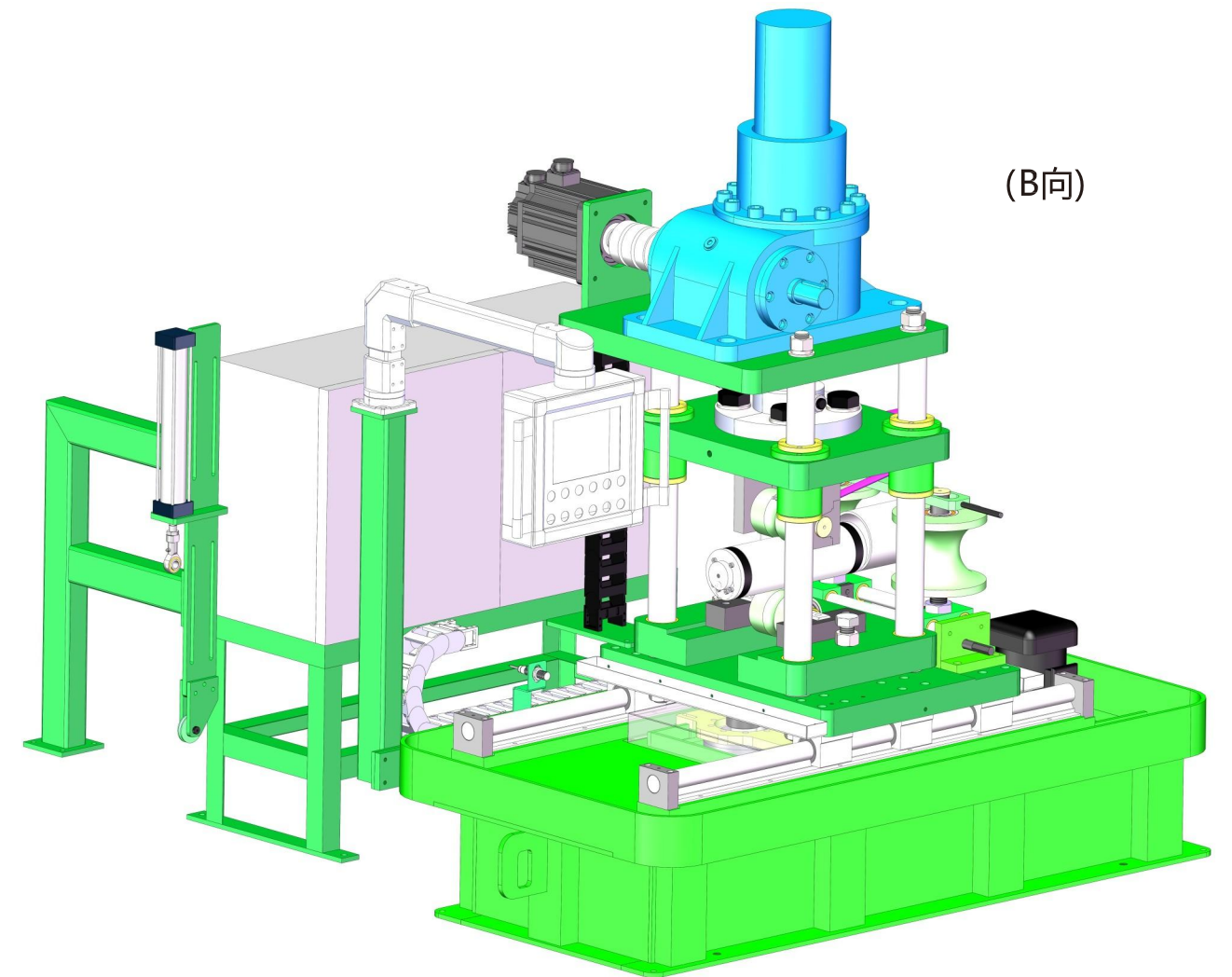
Full digital display intelligent control, commutation adopts dynamic curve motion design, good rolling effect and easy operation.



(A向)

内焊缝伺服整平机

INTERNAL WELD SERVO LEVELING MACHINE



(B向)

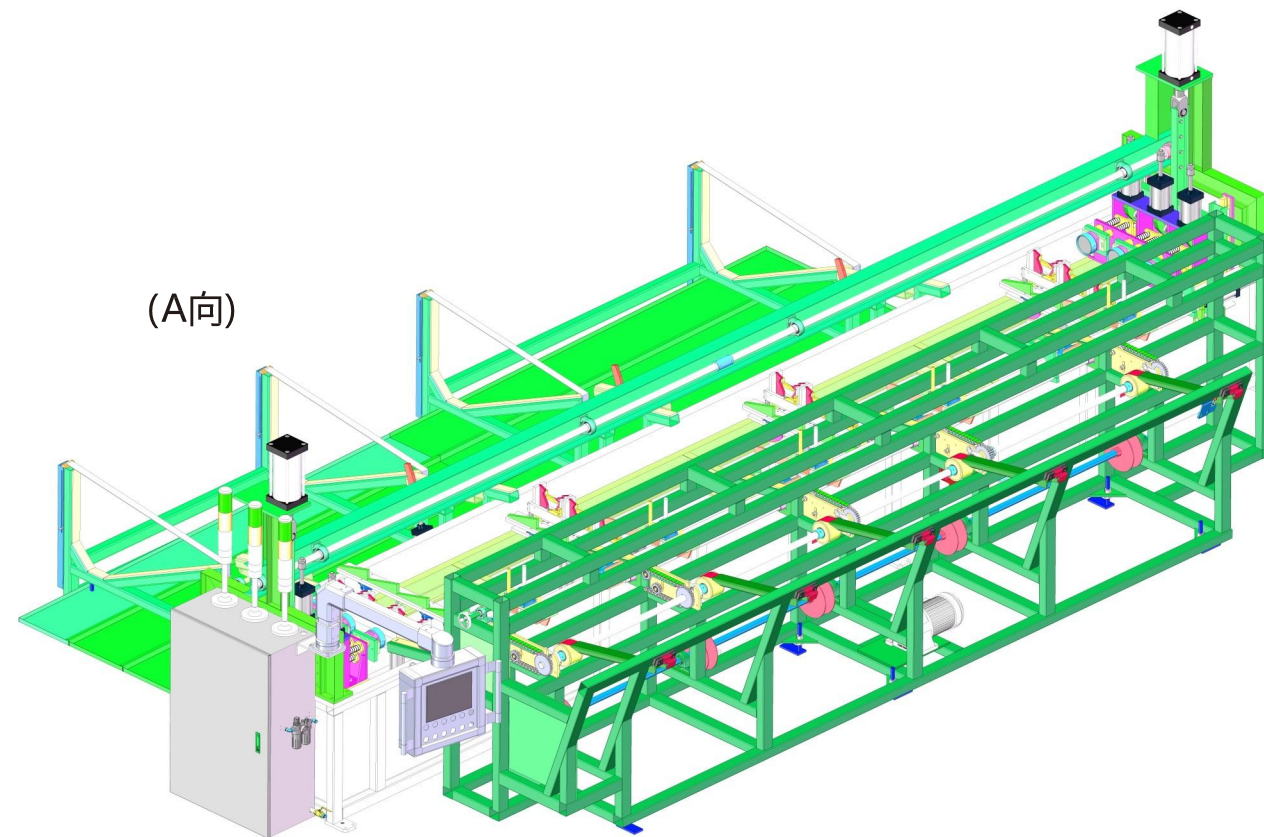
规格型号/Model	制管范围/Scope		壁厚范围/Thickness	
	最小/Mix.	最大/Max.	最小/Mix.	最大/Max.
HZG-30	6	16	0.4	1.5
HZG-40	16	50.8	0.5	2.5
HZG-50	25.4	76	0.5	3.0
HZG-60	50.8	114	1.0	4.0
HZG-80	89	168	1.0	5.0
HZG-100	114	219	2.0	8.0
HZG-120	168	325	3.0	10.0

管材气密压力测试机

PIPE GAS TIGHT PRESSURE TESTING MACHINE

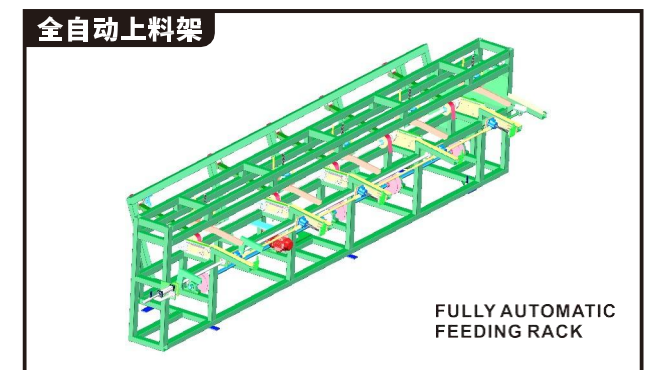
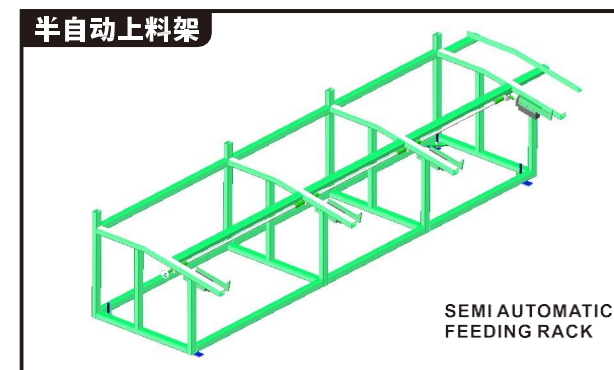
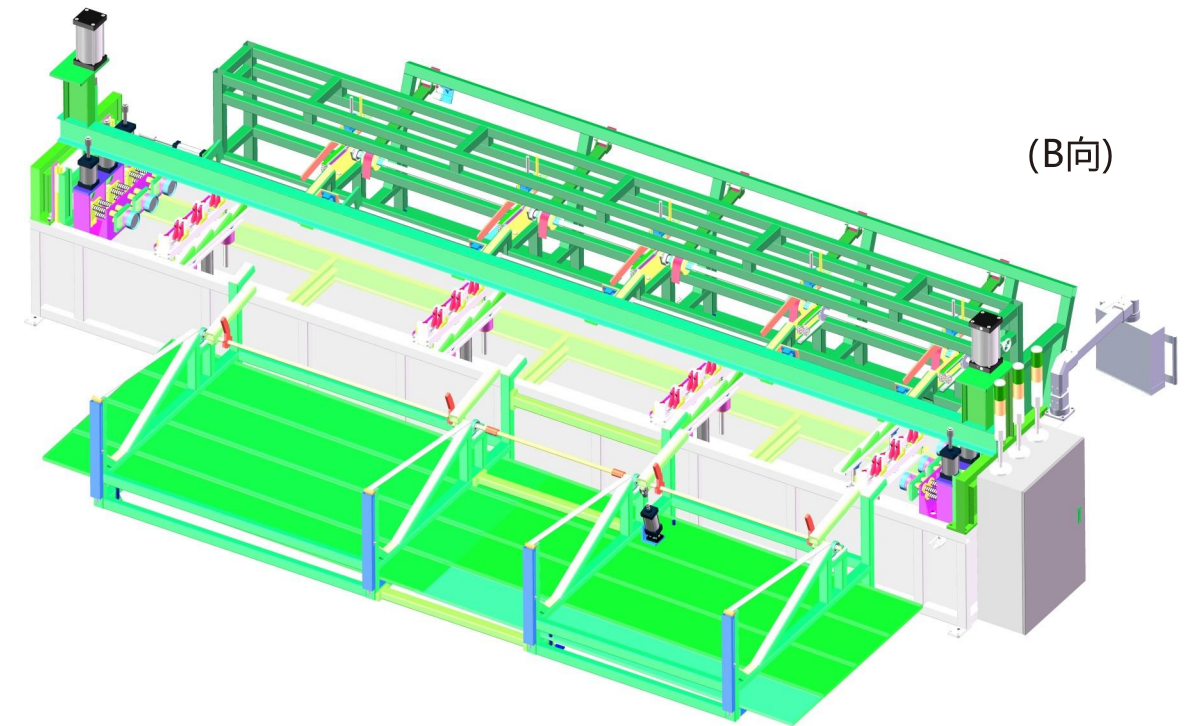
本设备主要用于不锈钢管材气密压力检测试验,采用径向密封或端面方式,端面密封楔力倍增专利设计,压力可达1.5Mpa,径向密封方式可检测压力可达3.0Mpa,具有远程联网、可视化智能检测系统、不合格品自动分拣、故障自动停机报警等功能。

This equipment is mainly used for stainless steel pipe gas tight pressure test,adopts radial seal or face mode. Face seal wedge force multiplier patent design, pressure up to 1.5Mpa. The radial sealing method can detect the pressure up to 3.0Mpa. It has the functions of remote networking, visual intelligent detection system, automatic sorting of unqualified products, automatic shutdown alarm and so on.



管材气密压力测试机

PIPE GAS TIGHT PRESSURE TESTING MACHINE



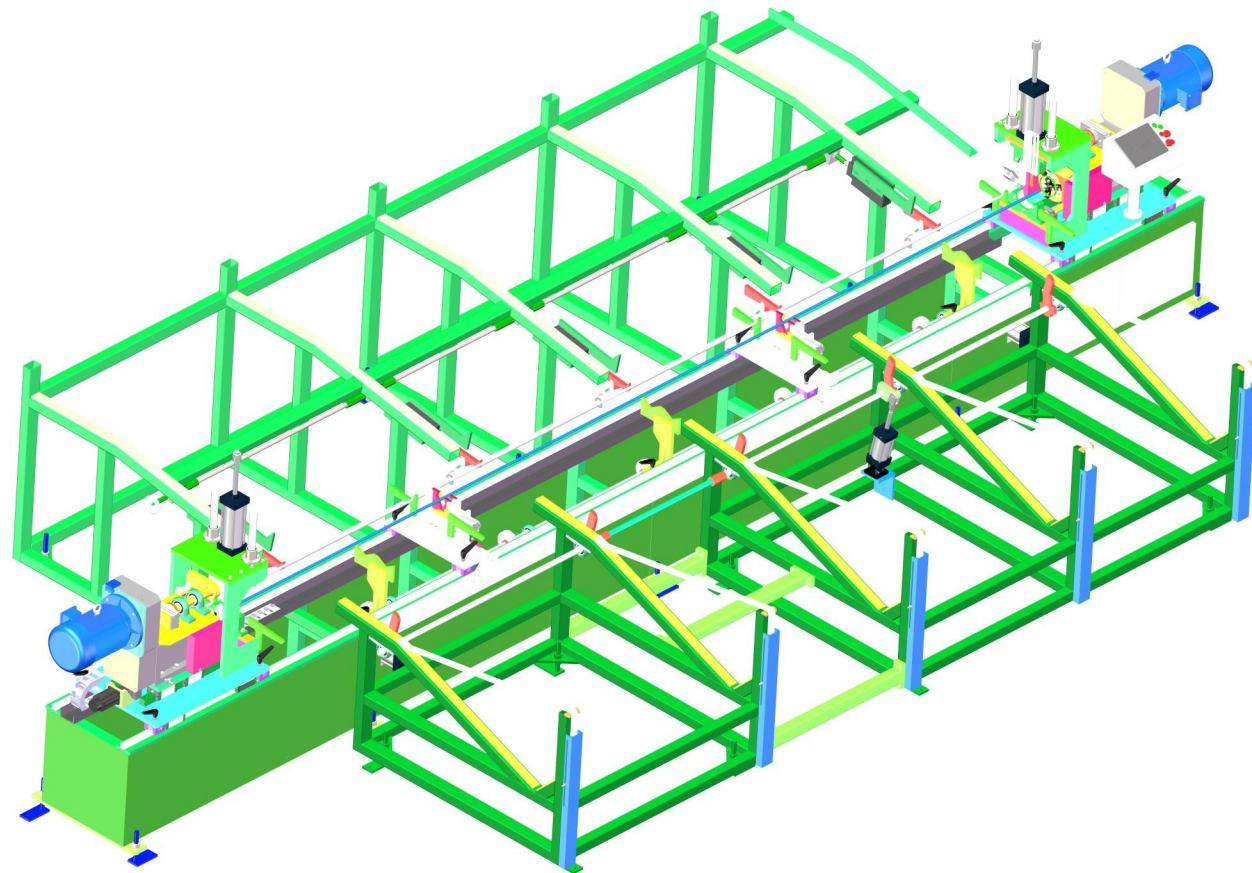
名称 Name	机型 Model	规格范围(mm) Polishing range(mm)	管道长度/m Pipe length/m	工位 Station	试验压力 Test pressure	密封方式 Sealing method	上料 Loading	下料 Off loading	功能 Capabilities	备注 Remark
管材气密试压机 Pipe gas tight pressure testing machine	ZYSY-25	Φ10-Φ25	2-3	3-5	1.5Mpa	端面密封 End face seal	半自动 Semi-automatic	无损下料 Lossless off loading	自动分拣, 远程联网 Automatic sorting, remote networking	
管材气密试压机 Pipe gas tight pressure testing machine	ZYSY-63	Φ15-Φ63	2-6	3-5	1.5Mpa	端面密封 End face seal	半自动/全自动 Semi-automatic/Automatic	无损下料 Lossless off loading	自动分拣, 远程联网 Automatic sorting, remote networking	
管材气密试压机 Pipe gas tight pressure testing machine	ZYSY-100	Φ51-Φ114	2-6	3	1.5Mpa	端面密封 End face seal	半自动/全自动 Semi-automatic/Automatic	无损下料 Lossless off loading	自动分拣, 远程联网 Automatic sorting, remote networking	
管材气密试压机 Pipe gas tight pressure testing machine	ZYSY-114	Φ15-Φ114	2-6	3	1.5Mpa	端面密封 End face seal	半自动/全自动 Semi-automatic/Automatic	无损下料 Lossless off loading	自动分拣, 远程联网 Automatic sorting, remote networking	
管材气密试压机 Pipe gas tight pressure testing machine	ZYSJ-50	Φ6-Φ50	2-20	3-5	3.0Mpa	径向密封 Radial seal	半自动 Semi-automatic	无损下料 Lossless off loading	自动分拣, 远程联网 Automatic sorting, remote networking	

伺服双头平口倒角机

SERVO DOUBLE HEAD FLAT CHAMFERING MACHINE

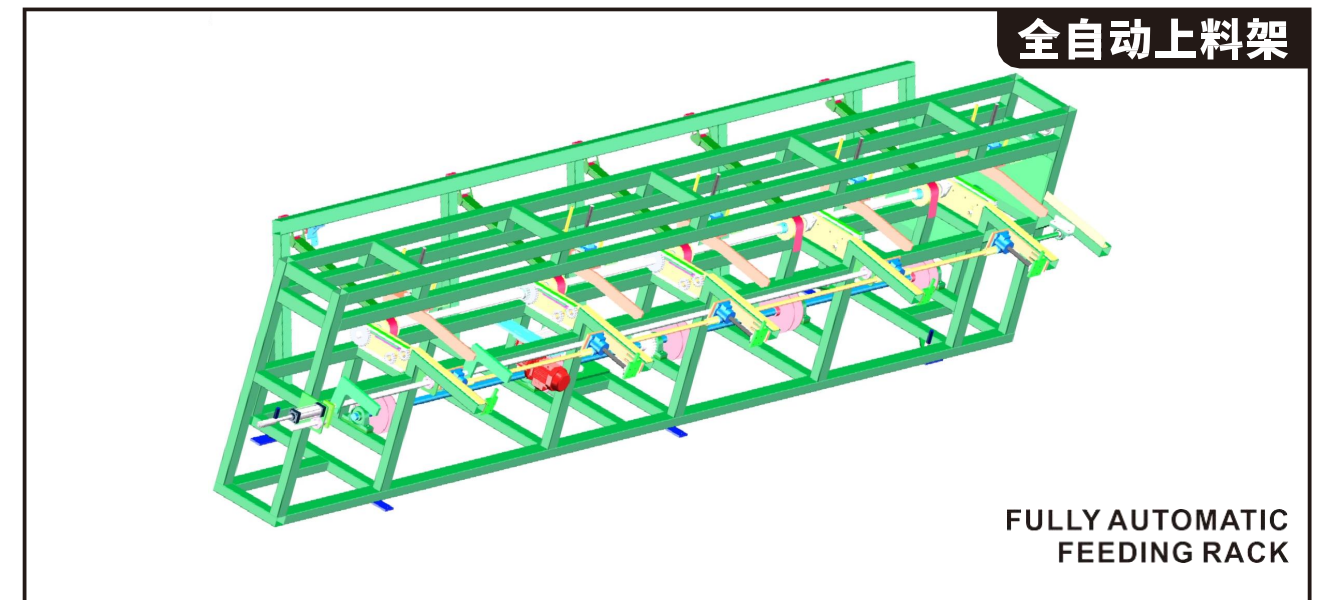
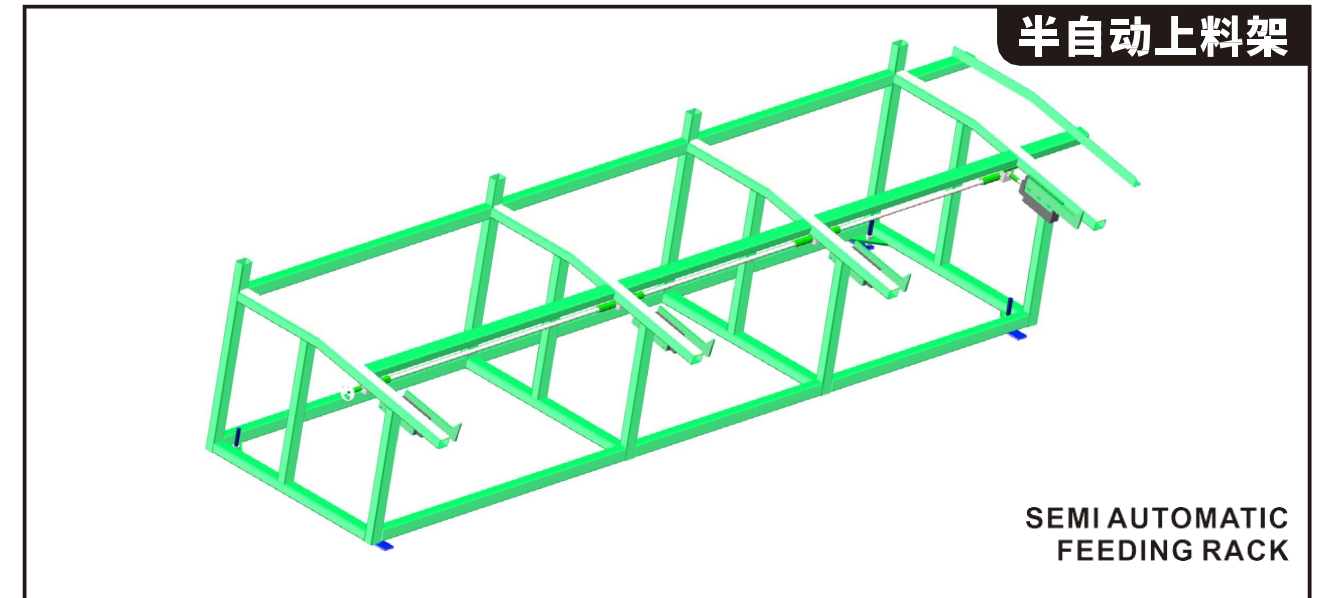
本设备主要用于金属管材端面平头、内倒角、外倒角、去毛刺。
 单工位设计，智能系统控制，具有自动上料、自动平口倒角、自动下料功能。运动控制器控制可根据管材规格自动计算大小管平口规格线速度，自动调整主轴转速，降低刀片损耗。
 自动对夹管装置，解决小管、薄管对位置顶管时弯曲变形。
 平口倒角/等长平口倒角双模式设计。

This equipment is mainly used for metal pipe end face flat head, inner chamfer, outer chamfer, deburring.
 Single station design, intelligent system control, with automatic feeding, automatic flat chamfering, automatic unloading functions.
 The motion controller control can automatically calculate the line speed of the flat mouth specification of the large and small pipes according to the pipe specifications, automatically adjust the spindle speed, and reduce the loss of the blade.
 Automatic centering clamping device to solve the bending deformation of small tube and thin pipe when the top pipe is in position.
 Flat chamfer/equal length flat chamfer dual mode design.



伺服双头平口倒角机

SERVO DOUBLE HEAD FLAT CHAMFERING MACHINE



名称 Name	机型 Model	规格范围(mm) Polishing range(mm)	管道长度/m Pipe length/m	工位 Station	刀片数 Number of blades	工作方式 Work-style	上料 Loading	下料 Off loading	功能 Capabilities	备注 Remark
双头平口倒角机 Double head flat chamfering machine	ZYPK-51	Φ15-Φ51	2-6	1	3	单边/双边 Unilateral/Bilateral	半自动/全自动 Semi-automatic/Automatic	无损下料 Lossless off loading	平口、倒角 Flat.Chamfer	
双头平口倒角机 Double head flat chamfering machine	ZYPK-114	Φ15-Φ114	2-6	1	3	单边/双边 Unilateral/Bilateral	半自动/全自动 Semi-automatic/Automatic	无损下料 Lossless off loading	平口、倒角 Flat.Chamfer	